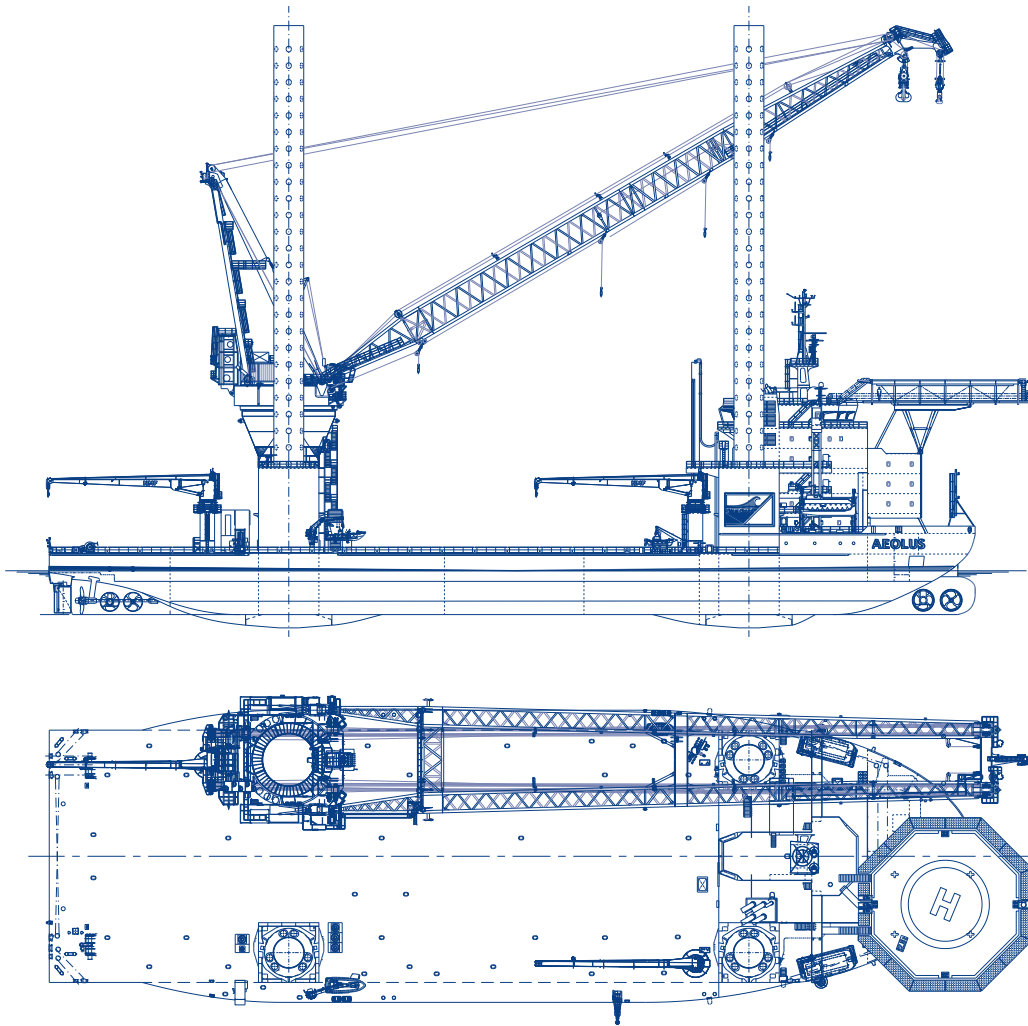




Equipment

Offshore installation vessel Aeolus



Aeolus

Name	Aeolus	
Type	Offshore installation vessel	
Classification	DNVGL ✕ 1A1 Self-elevating Wind Turbine Installation Unit - Clean(Design) - Crane offshore DYNPOS(AUTR) - E0 - HELDK(S,H) - OPP F NAUT{OSV, OSV(A)} - TMON(oil lubricated)	
Trading area	Unrestricted	
Year of construction	2014	
Year of modification	2018	
Dimensions	Length overall	139.40 m
	Breadth overall	44.46 m
	Depth (to maindeck)	10.12 m
	Draught	8.60 m
Tonnage	19,848 GT - 5,955 NT	
Deadweight	11,990 tons	
Speed	10.5 knots	
Huisman offshore installation crane	Main hoist	1600 tons / 14.00 - 32.00 m
	Auxiliary hoist	100 tons / 16.00 - 109.00 m

Auxiliary cranes	2 x 20 tons / 24.00 m
Main engines	4 x 4,500 kW
Propulsion	10,000 kW
Bow thrusters	2 x 2,500 kW
Stern thrusters	2 x 2,500 kW
Total power installed	18,688 kW
Accommodation	99 persons
Jack-up system	4 legs - length 81.00 m - diameter 4.50 m
Clear deck area	3,775 m ²
Dynamic Positioning System	DP Class 2

Contact

Van Oord
 PO Box 8574
 3009 AN Rotterdam
 The Netherlands
T +31 88 8260000
F +31 88 8265010
E info@vanoord.com
I www.vanoord.com

Van Oord
Offshore Wind
 PO Box 458
 4200 AL Gorinchem
 The Netherlands
T +31 88 8265100
F +31 88 8265110
E area.ow@vanoord.com